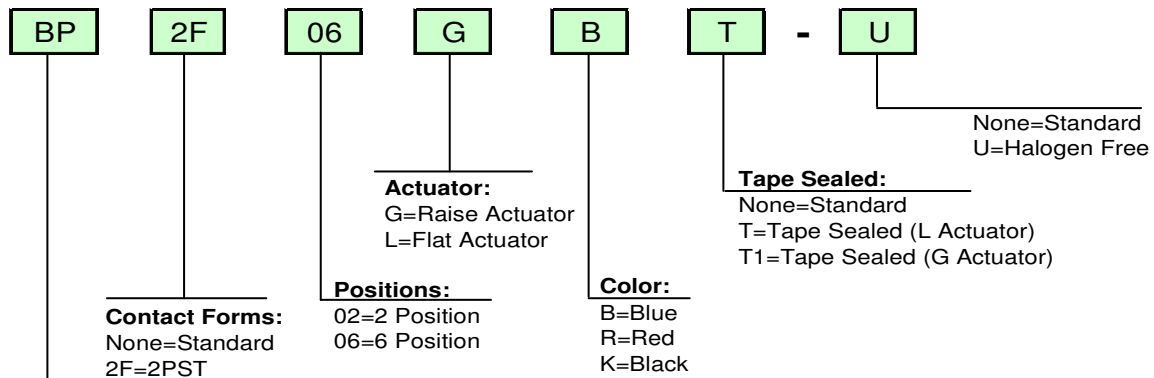


MODEL	SPECIFICATION DIP SWITCH	SP-001	Page
BP/BPE series			1/4
Piano Type			RoHS&REACH Compliant / Halogen Free

Order Information



PianoType

BP : bottom surrounding with Epoxy sealed
BPE : bottom surrounding without Epoxy sealed
 ** BPE not provide 1&2 position

Specifications

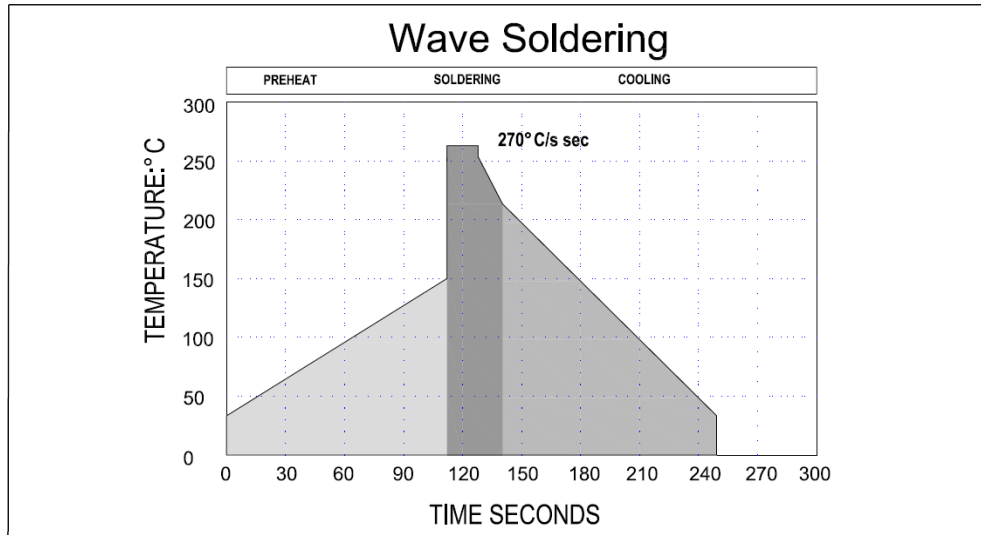
◆ Contact Rating	Switching..... 25mA, 24VDC Non-Switching.....100mA, 50VDC
◆ Contact Resistance	Initial.....50mΩ Max. After Reliability Test.....100mΩ Max.
◆ Insulation Resistance100MΩ Min. at 500VDC
◆ Dielectric Strength500VDC / 1 minute
◆ Operating Force1,000g max
◆ Mechanical Life 5,000 cycles (Min.)
◆ Electrical Life 2,000 cycles / 25mA, 24VDC
◆ Operating Temperature	THR.....-40°C ~ +105°C THT.....-40°C ~ +85°C
◆ Storage Temperature-40°C ~ +85°C

Soldering Information

- ◆ **Hand Soldering**
Soldering iron of 30W or under at 350°C for 3 sec. max or at 270°C for 5 sec. max.
- ◆ **Wave Soldering**
For lead free wave solder simulation of typical components, the solder bath temperature shall be maintained at 270°C max./ 5~10 seconds.
- ◆ Keep all actuators in “OFF” position during soldering and cleaning process.

MODEL	SPECIFICATION DIP SWITCH RoHS&REACH Compliant / Halogen Free	SP-002	Page
BP/BPE series			2/4
Piano Type			

Recommended Wave Soldering Profiles



Maximum dwell time in the solder wave (270°C) shall not exceed 10 seconds.

Switch Operation and Taping

- (1) Use tweezers for operation.
- (2) Flux cleaning should be done without removing the Tape.
- (3) If the tape is removed, it adheres less than before when it is placed back on, possibly causing flux inflow
- (4) Ultrasonic cleaning not recommended without Tape sealed.

※ All switches must set in OFF position when through Soldering process.

※ Any flux enters the switch may influence contact function.

MODEL	SPECIFICATION DIP SWITCH	SP-004	Page
BP/BPE series			4/4
Piano Type			RoHS&REACH Compliant / Halogen Free

Part Number Table

BP/BPE

No. Pos.	Dim. "A"	Raise Actuator BPE Blue Tube Package	Raise Actuator BP Red Tube Package	Flat Actuator BP Red Tube Package
1	3.54		BP01GR	BP01LR
2	6.08		BP02GR	BP02LR
3	8.62	BPE03GB	BP03GR	BP03LR
4	11.16	BPE04GB	BP04GR	BP04LR
5	13.70	BPE05GB	BP05GR	BP05LR
6	16.24	BPE06GB	BP06GR	BP06LR
7	18.78	BPE07GB	BP07GR	BP07LR
8	21.32	BPE08GB	BP08GR	BP08LR
9	23.86	BPE09GB	BP09GR	BP09LR
10	26.40	BPE10GB	BP10GR	BP10LR
12	31.48	BPE12GB	BP12GR	BP12LR

BP2F/BPE2F

No. Pos.	Dim. "A"	Raise Actuator BP2F Red Tube Package	Raise Actuator BPE2F Blue Tube Package
1	6.08	BP2F01GR	
2	11.16	BP2F02GR	BPE2F02GB
3	16.24	BP2F03GR	BPE2F03GB
4	21.32	BP2F04GR	BPE2F04GB
5	26.40	BP2F05GR	BPE2F05GB
6	31.48	BP2F06GR	BPE2F06GB

Tube Package

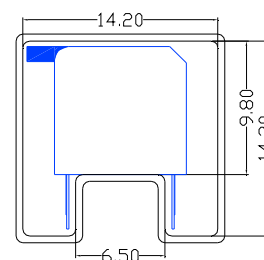
◆ BP/BPE

POLE	1	2	3	4	5	6	7	8	9	10	12
TUBE	148	85	61	47	38	32	28	24	22	20	16
BOX	7252	4165	2989	2303	1862	1568	1372	1176	1078	980	784
CTN 1	14504	8330	5978	4606	3724	3136	2744	2352	2156	1960	1568
CTN 2	29008	16660	11956	9212	7448	6272	5488	4704	4312	3920	3136

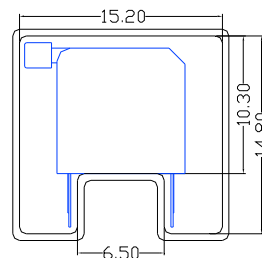
◆ BP2F/BPE2F

POLE	1	2	3	4	5	6
TUBE	85	47	32	24	20	16
BOX	4165	2303	1568	1176	980	784
CTN 1	8330	4606	3136	2352	1960	1568
CTN 2	16660	9212	6272	4704	3920	3136

BP/BPE



BP2F/ BPE2F



Box Dimension

◆ Tube57.0cm x 13.0cm x 12.5cm

Carton Dimension:

◆ Tube 2 Boxes.....58.5cm x 29.0cm x 15.0cm

4 Boxes.....58.5cm x 28.0cm x 27.0cm